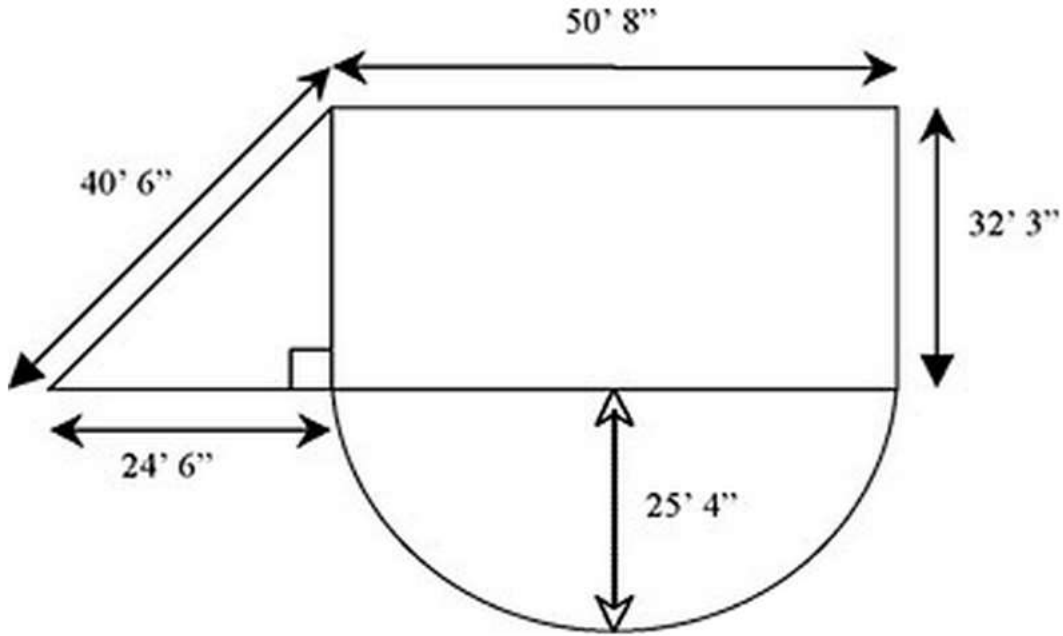


Name: \_\_\_\_\_

Date: \_\_\_\_\_

MAP 4C **Perimeter & Area of Composite Shapes: Practice**

As a landscape architect, you are given a unique property to beautify. The property is composed of a right triangle, a semi-circle, and a rectangle as shown below.



- a) Your client has asked to have a fence built around the entire property. What is the perimeter of the yard?
- b) Next, you plan to re-sod the entire property surrounding your client's house. If the house has a square footage of  $2100 \text{ ft}^2$ , what is the area of the yard?