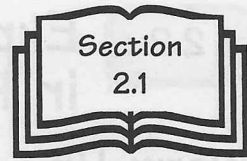
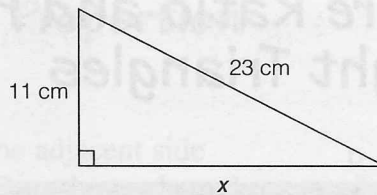
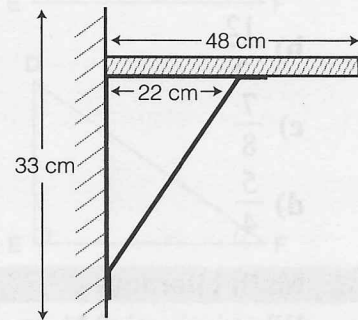


4. Explain to your friend John the steps he will need to follow to solve for x in the triangle shown on the right.



5. Ricardo is building a shelf in his garage. For support, he will attach three triangle-shaped brackets to the wall as shown in the diagram. Find the length of the third side. Round your answer to one decimal place.



6. A 15-ft ladder is placed against a building. The bottom of the ladder is 4 ft out from the wall. You need to find how high up the side of the building the ladder touches the wall.
- a) Make a sketch of the situation.

- b) How far up the side of the building does the top of the ladder reach? Round your answer to one decimal place.